

150 PSIG

SINGLE AND MULTI-PLY STAINLESS STEEL EXPANSION JOINT BELLOWS

321 S.S. Bellows with Welding Aide

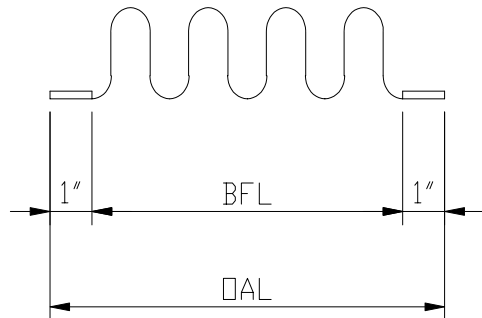
U. S. BELLOWS, INC.®

Monel and Inconel available on request.

A DIVISION OF PIPING TECHNOLOGY & PRODUCTS, INC.

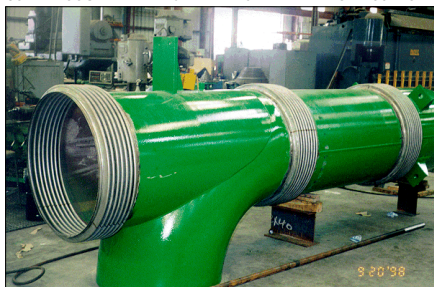
Notes:

1. Pressure Range: Vacuum to 150 PSIG.
2. Temperature Range: -20 F to 800 F.
3. Rated cycle life is 3000 cycles per EJMA for any one tabulated movement.
4. Maximum axial extension movement is 50% of the tabulated axial movement.
5. Rated extension movement is equal to rated axial movement provided the bellows is pre-compressed the amount of design extension.
6. Maximum test pressure: 1.5x design pressure
7. Materials: -- Bellows : ASTM A240-T321SS
-- Welding Aides : ASTM A240-T321SS
8. Flanges or welds ends can be attached to the bellows 1/16" thk (min.) Welding aide.
9. For more details request PT&P's Expansion Joint Catalog.



ND in.	Part Number	Max. Axial Movement in.	Max. Lateral Movement in.	Max. Angular Movement deg.	B.F.L. in.	Number of Corrugations	O.A.L. in.	Weight Each lbs.	Axial Spring Rate lbs./in.	Lateral Spring Rate lbs./in.	Angular Spring Rate in/lbs/deg.
3/4	S007150C	0.33	0.14	10	1.63	7	2.38	0.06	734	633	13
	L007150C	0.47	0.25	10	2.19	10	2.94	0.07	510	218	13
1	S010150C	0.39	0.12	10	1.56	6	2.31	0.08	582	930	13
	L010150C	0.53	0.19	10	1.94	8	2.69	0.09	437	392	13
1 1/2	S015150C	0.41	0.10	10	1.75	7	2.50	0.13	739	1815	13
	L015150C	0.59	0.19	10	2.38	10	3.13	0.15	515	622	13
2	US-2-8-150S	0.34	0.12	10	3.00	8	5.00	0.50	1206	1451	19
	US-2-12-150L	0.51	0.28	10	4.50	12	6.50	1.00	804	430	13
2 1/2	US-2.5-8-150S	0.69	0.20	10	3.00	8	5.00	1.00	327	620	8
	US-2.5-12-150L	0.78	0.34	10	4.50	12	6.50	1.00	536	452	13
3	US-3-8-150S	0.66	0.16	10	3.00	8	5.00	1.00	403	1075	14
	US-3-12-150L	0.82	0.31	10	4.50	12	6.50	1.00	411	472	14
4	US-4-8-150S	0.70	0.13	10	3.00	8	5.00	1.00	635	2780	36
	US-4-12-150L	1.05	0.30	10	4.50	12	6.50	2.00	423	824	24
5	US-5-8-150S	0.69	0.11	10	3.00	8	5.00	2.00	794	5068	66
	US-5-12-150L	1.03	0.25	10	4.50	12	6.50	3.00	529	1502	44
6	US-6-8-150S	0.83	0.15	10	4.00	8	6.00	3.00	1074	5477	127
	US-6-12-150L	1.25	0.34	10	6.00	12	8.00	4.00	716	1623	85
8	US-8-8-150S	0.81	0.11	10	4.00	8	6.00	4.00	1415	11661	271
	US-8-12-150L	1.22	0.26	10	6.00	12	8.00	6.00	943	3455	181
10	US-10-8-150S	1.48	0.33	10	8.00	8	10.00	9.00	1379	4463	415
	US-10-12-150L	2.22	0.75	10	12.00	12	14.00	13.00	919	1322	277
12	US-12-8-150S	1.54	0.29	10	8.00	8	10.00	16.00	1832	8417	784
	US-12-12-150L	2.31	0.66	10	12.00	12	14.00	23.00	1222	2494	522
14	US-14-8-150S	1.53	0.26	10	8.00	8	10.00	18.00	2020	11011	1025
	US-14-12-150L	2.30	0.60	10	12.00	12	14.00	25.00	1347	3262	683
16	US-16-8-150S	1.52	0.23	10	8.00	8	10.00	20.00	2321	16184	1506
	US-16-12-150L	2.28	0.52	10	12.00	12	14.00	29.00	1547	4795	1004
18	US-18-8-150S	1.50	0.20	9	8.00	8	10.00	23.00	2621	22765	2119
	US-18-12-150L	2.26	0.47	10	12.00	12	14.00	32.00	1747	6745	1413
20	US-20-8-150S	1.49	0.18	8	8.00	8	10.00	26.00	2922	30924	2879
	US-20-12-150L	2.24	0.42	10	12.00	12	14.00	36.00	1948	9163	1919
22	US-22-8-150S	1.49	0.17	8	8.00	8	10.00	28.00	3223	40831	3801
	US-22-12-150L	2.23	0.38	10	12.00	12	14.00	39.00	2149	12098	2534
24	US-24-8-150S	1.47	0.11	5	8.00	8	10.00	31.00	3524	52653	4901
	US-24-12-150L	2.21	0.26	8	12.00	12	14.00	43.00	2349	15601	3267

36" PRESSURE BALANCED EXP. JT. RATED FOR 150 P.S.I.



72" DIAMETER THIN WALL DUCT EXP. JT. RATED FOR 50 P.S.I.



10" DIAMETER MULTI-BELLOWS EXP. JOINT

