

300 PSIG

SINGLE AND MULTI-PLY STAINLESS STEEL EXPANSION JOINT BELLOWS

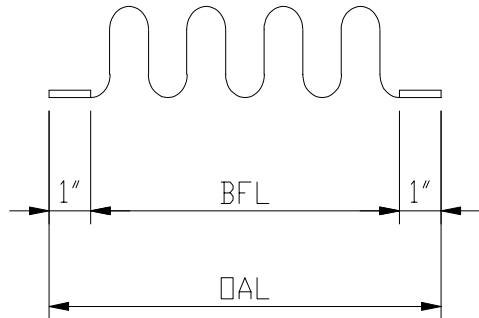
321 S.S. Bellows with Welding Aide

Monel and Inconel available on request.

Notes:

U. S. BELLOWS, INC.®

A DIVISION OF PIPING TECHNOLOGY & PRODUCTS, INC.



1. Pressure Range: Vacuum to 300 PSIG.
2. Temperature Range: -20 F to 800 F.
3. Rated cycle life is 3000 cycles per EJMA for any one tabulated movement.
4. Maximum axial extension movement is 50% of the tabulated axial movement.
5. Rated extension movement is equal to rated axial movement provided the bellows is pre-compressed the amount of design extension.
6. Maximum test pressure: 1.5x design pressure
7. Materials: -- Bellows : ASTM A240-T321SS
-- Welding Aides : ASTM A240-T321SS
8. Flanges or welds ends can be attached to the bellows 1/16" thk (min.) Welding aide.
9. For more details request PT&P's Expansion Joint Catalog.

ND in.	Part Number	Max. Axial Movement in.	Max. Lateral Movement in.	Max. Angular Movement deg.	B.F.L. in.	Number of Corrugations	O.A.L. in.	Weight Each lbs.	Axial Spring Rate lbs./in	Lateral Spring Rate lbs./in.	Angular Spring Rate in/lbs/deg.
3/4	S007300C	0.23	0.10	10	1.63	7	2.38	0.07	1607	1394	13
	L007300C	0.35	0.25	10	2.38	11	3.13	0.09	1025	358	13
1	S010300C	0.29	0.12	10	1.94	8	2.69	0.13	1387	1647	13
	L010300C	0.43	0.27	10	2.75	12	3.50	0.17	1226	487	13
1 1/2	S015300C	0.35	0.13	10	2.38	10	3.13	0.22	2279	2733	13
	L015300C	0.51	0.29	10	4.06	15	4.81	0.29	1518	806	13
2	US-2-8-300S	0.32	0.12	10	3.00	8	5.00	0.50	1206	1451	19
	US-2-12-300L	0.48	0.27	10	4.50	12	6.50	1.00	804	430	13
2 1/2	US-2.5-8-300S	0.77	0.30	10	4.00	8	6.00	1.00	733	782	18
	US-2.5-12-300L	0.89	0.52	10	6.00	12	8.00	2.00	1252	594	31
3	US-3-8-300S	0.57	0.19	10	4.00	8	6.00	2.00	2318	3477	81
	US-3-12-300L	0.85	0.42	10	6.00	12	8.00	3.00	1545	1030	54
4	US-4-8-300S	0.77	0.20	10	4.00	8	6.00	3.00	1435	3534	82
	US-4-12-300L	1.16	0.45	10	6.00	12	8.00	4.00	957	1047	55
5	US-5-8-300S	0.74	0.16	10	4.00	8	6.00	4.00	1795	6443	150
	US-5-12-300L	1.11	0.36	10	6.00	12	8.00	5.00	1197	1909	100
6	US-6-8-300S	0.84	0.15	10	4.00	8	6.00	5.00	1576	7903	184
	US-6-12-300L	1.26	0.34	10	6.00	12	8.00	6.00	1051	2342	123
8	US-8-8-300S	0.82	0.11	10	4.00	8	6.00	6.00	2075	16871	393
	US-8-12-300L	1.23	0.26	10	6.00	12	8.00	8.00	1383	4999	262
10	US-10-8-300S	1.52	0.38	10	9.00	8	11.00	18.00	3102	7932	934
	US-10-12-300L	2.28	0.87	10	13.50	12	15.50	26.00	2068	2350	623
12	US-12-8-300S	1.57	0.33	10	9.00	8	11.00	32.00	4141	15031	1771
	US-12-12-300L	2.36	0.76	10	13.50	12	15.50	45.00	2761	4454	1181
14	US-14-8-300S	1.55	0.30	10	9.00	8	11.00	36.00	4566	19662	2316
	US-14-12-300L	2.32	0.68	10	13.50	12	15.50	50.00	3044	5826	1544
16	US-16-8-300S	1.53	0.26	10	9.00	8	11.00	41.00	5245	28900	3405
	US-16-12-300L	2.30	0.60	10	13.50	12	15.50	57.00	3496	8563	2270
18	US-18-8-300S	1.53	0.23	9	9.00	8	11.00	46.00	5924	40653	4789
	US-18-12-300L	2.29	0.53	10	13.50	12	15.50	64.00	3949	12045	3193
20	US-20-8-300S	1.51	0.21	8	9.00	8	11.00	51.00	6604	55223	6506
	US-20-12-300L	2.27	0.48	10	13.50	12	15.50	71.00	4403	16362	4337
22	US-22-8-300S	1.40	0.16	6	8.00	8	10.00	55.00	7284	92281	8590
	US-22-12-300L	2.11	0.36	10	12.00	12	14.00	76.00	4856	27343	5727
24	US-24-8-300S	1.60	0.15	6.85	8.00	8	10.00	64.00	5835	88059	8197
	US-24-12-300L	2.41	0.35	10	12.00	12	14.00	90.00	3890	26092	5465

HINGED EXPANSION JOINT



REV.1-4/23/99

MULTI-PLY UNIVERSAL EXPANSION JOINT



177

113" DIAMETER UNIVERSAL EXPANSION JOINT
RATED AT 20 PSI



300psig.wk4-12/8/94